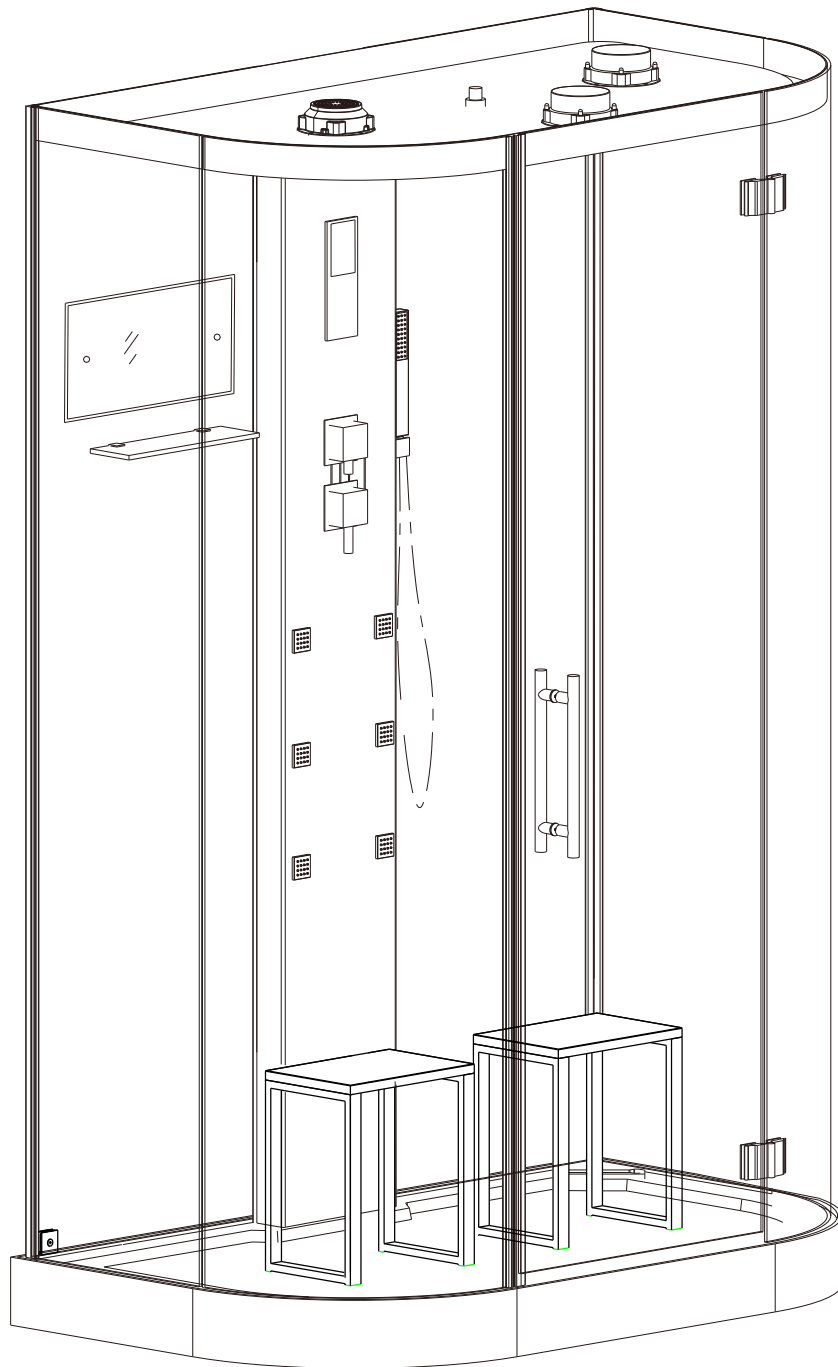


PRODUCT MANUAL

Model:S026



SIZE:1470*850*2150mm

Content

Dear Users,

Thanks for purchasing our products. In order to use these products safely and effectively, please read this manual carefully before use.

We reserve the right to improve our products.

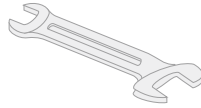
Content

Content	01
Preparation	02
Part list	02
Circuit drawing	03
Waterway drawing	04
Water&electricity install drawing	05
Parts drawing	06
Installation drawing	07~13
Operation instruction	14~16
Aftersales service	
Warning	17
Usage Notice	17
Reminder	18
Maintenance	18
Trouble Shooting	19~20

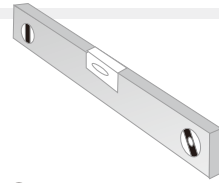
Preparation Parameter

Preparation

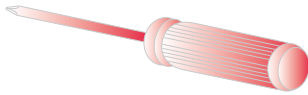
Tool



17# Spanner

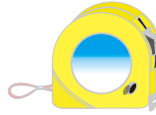


Spirit level

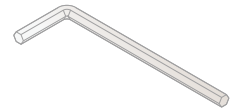


Screwdriver

Suggest using power screwdriver



3m
Tape Measure



4/2.5mm
Hexagon Wrench

1. Check the Qty of components according to packinglist or parts list.
2. Check the Qty of materials according to parts list.
3. Check if there is damage on the surface of product components or not.
4. A grounded outlet needed as recommend to use at least 16A with a fuse of the leakage protection switch.
5. A professional personnel or electricians is needed when installing electrical components.

If can not satisfy above conditions, please stop installing immediately and contact the dealer.

Technology parameters

Rated Voltage: AC230V

Rated Power: 3020W

Rated Current: 13.2A

Rated frequency: 50~60HZ

Insulated Resistance: >20MΩ

Waterproof grade: IPX4

Class: I

Load parameter

Upper heater: AC230V/200W

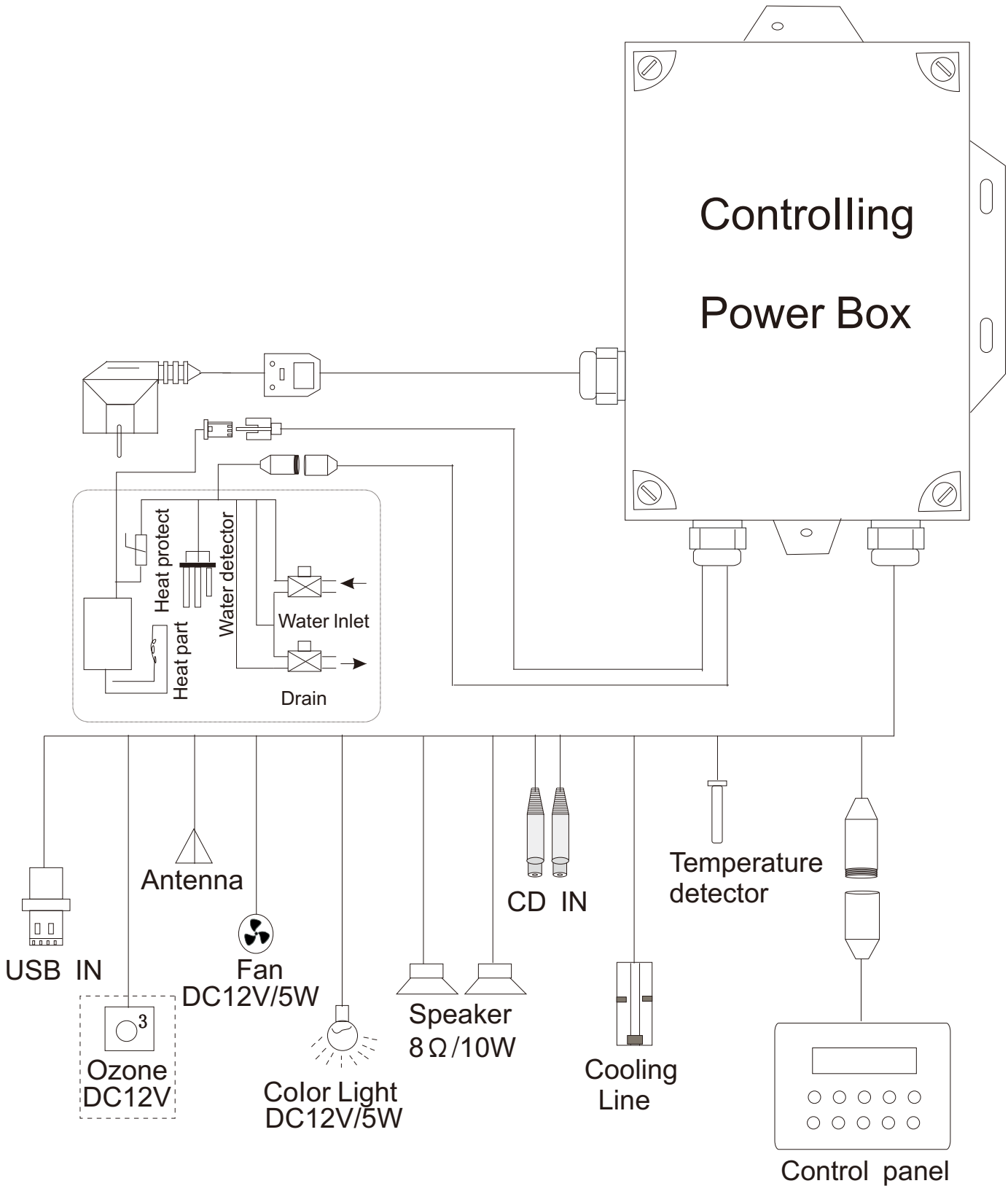
Nether heater: AC230V/250W

Fan: DC12V/5W

Color Light: DC12V/5W

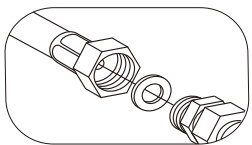
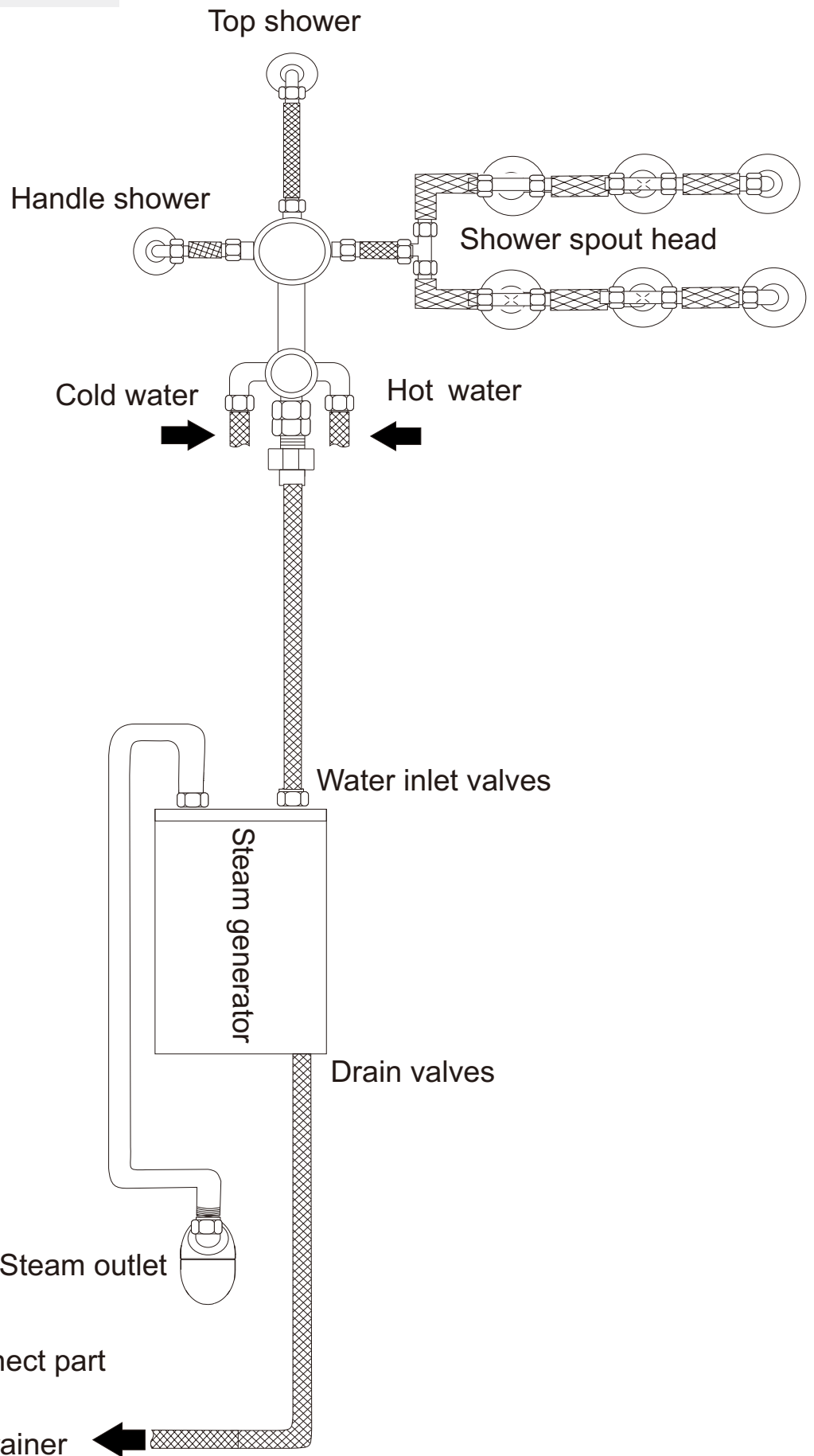
Speaker: 8Ω/10W

S026

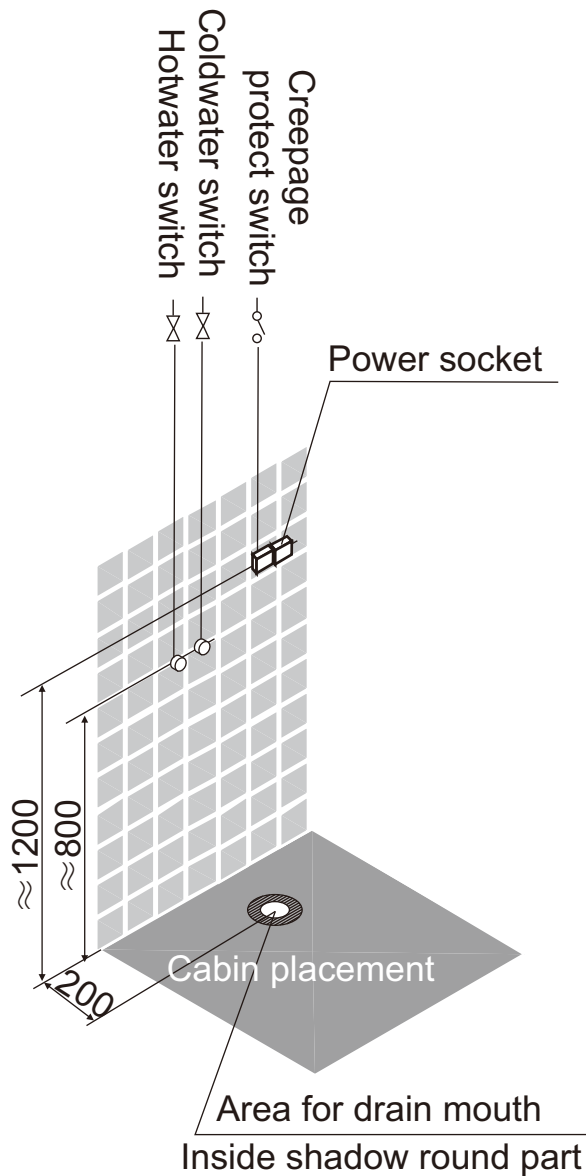


Waterway drawing

S026



Attention:
With seal ring at every connect part



Hot water: G1/2 galvanize zinc pipe, height 800mm;

Cold water : G1/2 galvanize zinc pipe, height :800mm;

Power: 230V/50Hz single phase three line system, above 16A load capability, 1200mm high from earth;

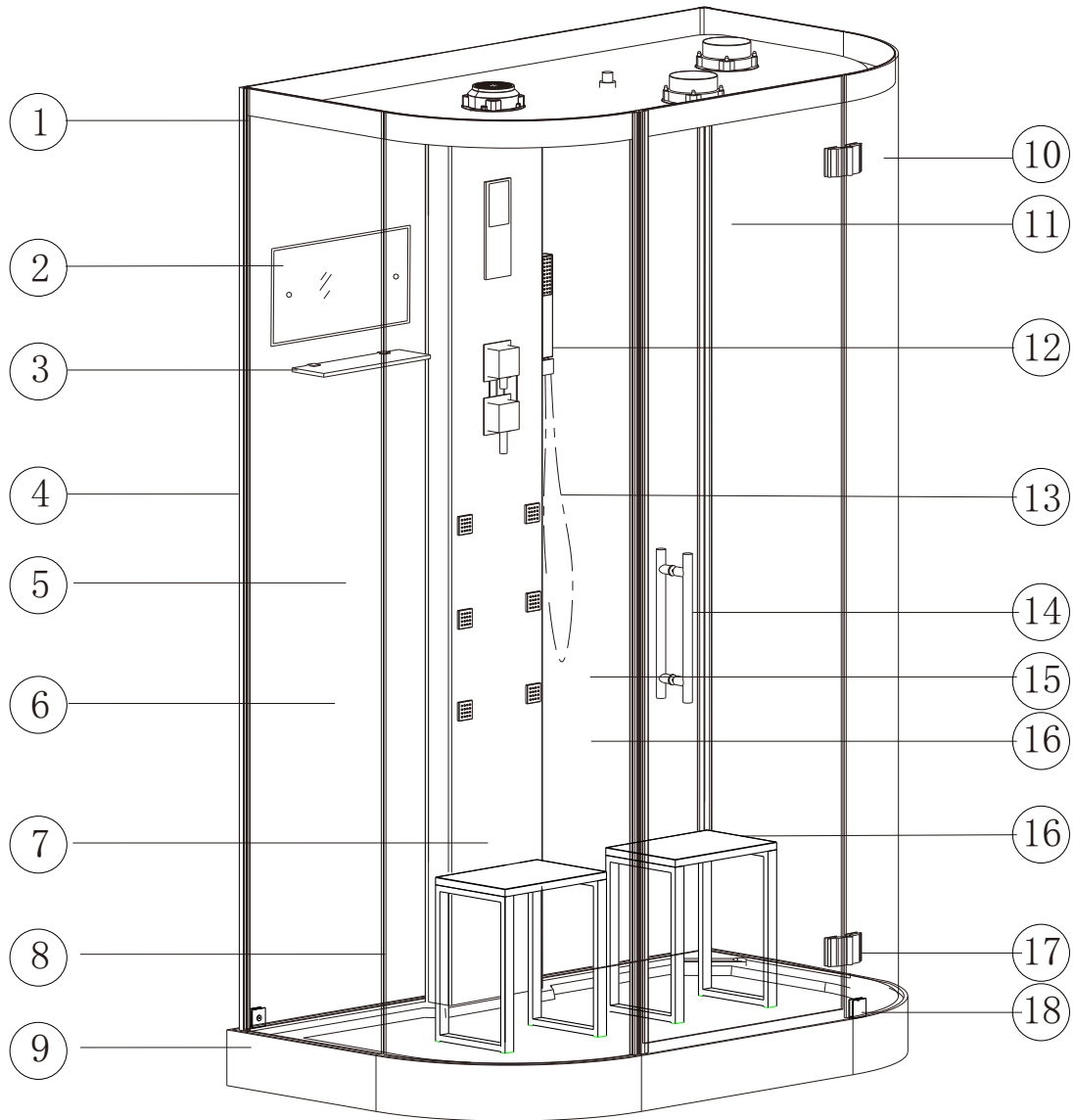
Sinkhole: The diameter of the sinkhole underground should be $\Phi 60$.

Attention:

1. When turn on the steam, please be sure that there`s enough cold water, otherwise, the steam generator will be damaged;
2. Power and water resource should be controled by divide switch, switch must be placed in the convenient place;
3. After enjoying your shower, the power and water resource must be turn off.

Parts drawing

S026




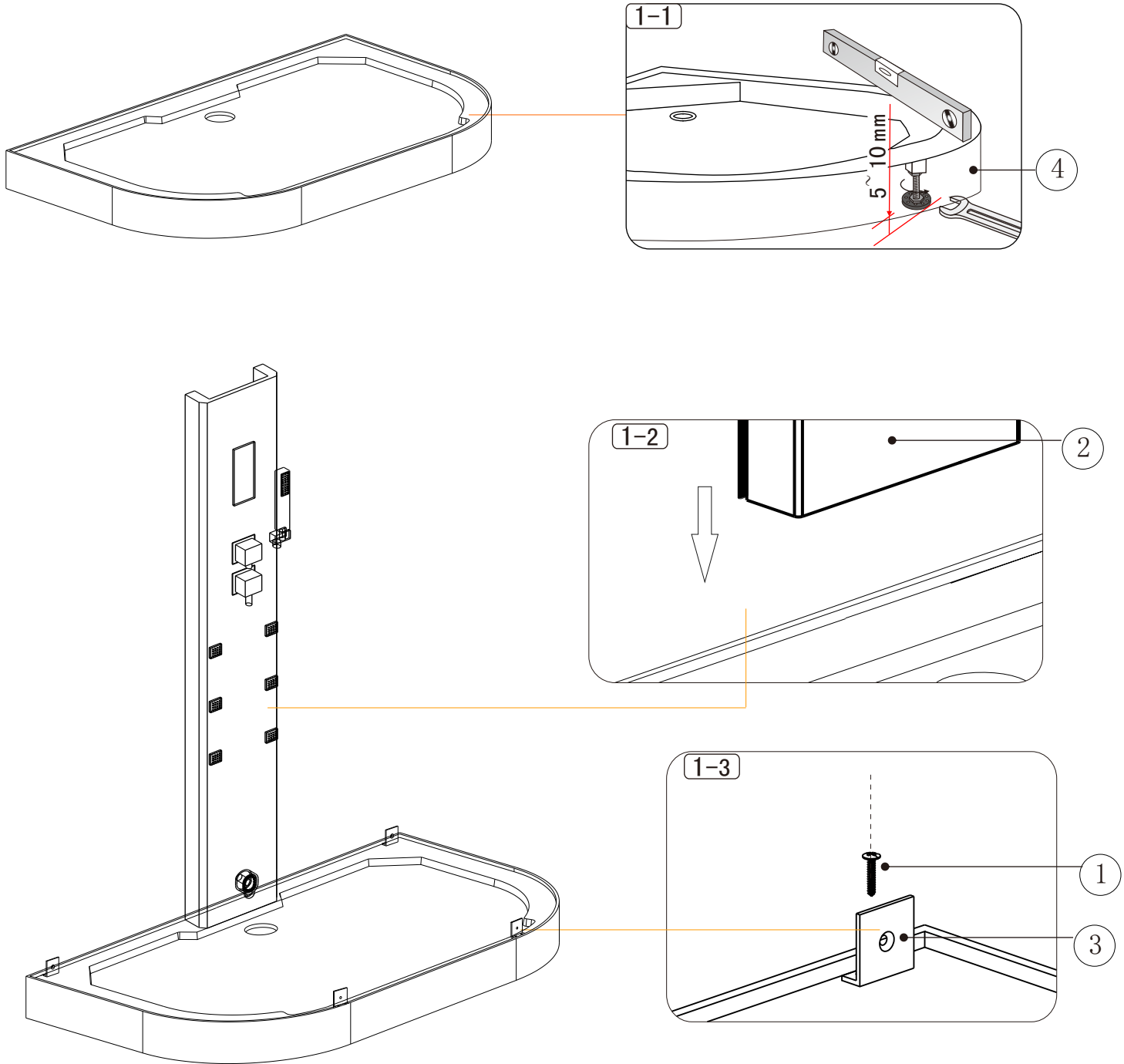
No.	Parts name	Qty
1	Top	1
2	side fix glass	1
3	Shelf for shampoo	1
4	back column	2
5	Back left fix glass	1
6	side fix glass	2
7	Front left fix glass	1
8	Front left column	1
9	Tray	1

No.	Parts name	Qty
10	Front right fix glass	1
11	Glass door	1
12	Handle shower	1
13	shower hose	1
14	Handle	1
15	Back right fix glass	1
16	Chair	1
17	Hinge	2
18	glass nip	4

Installation drawing

Step 1

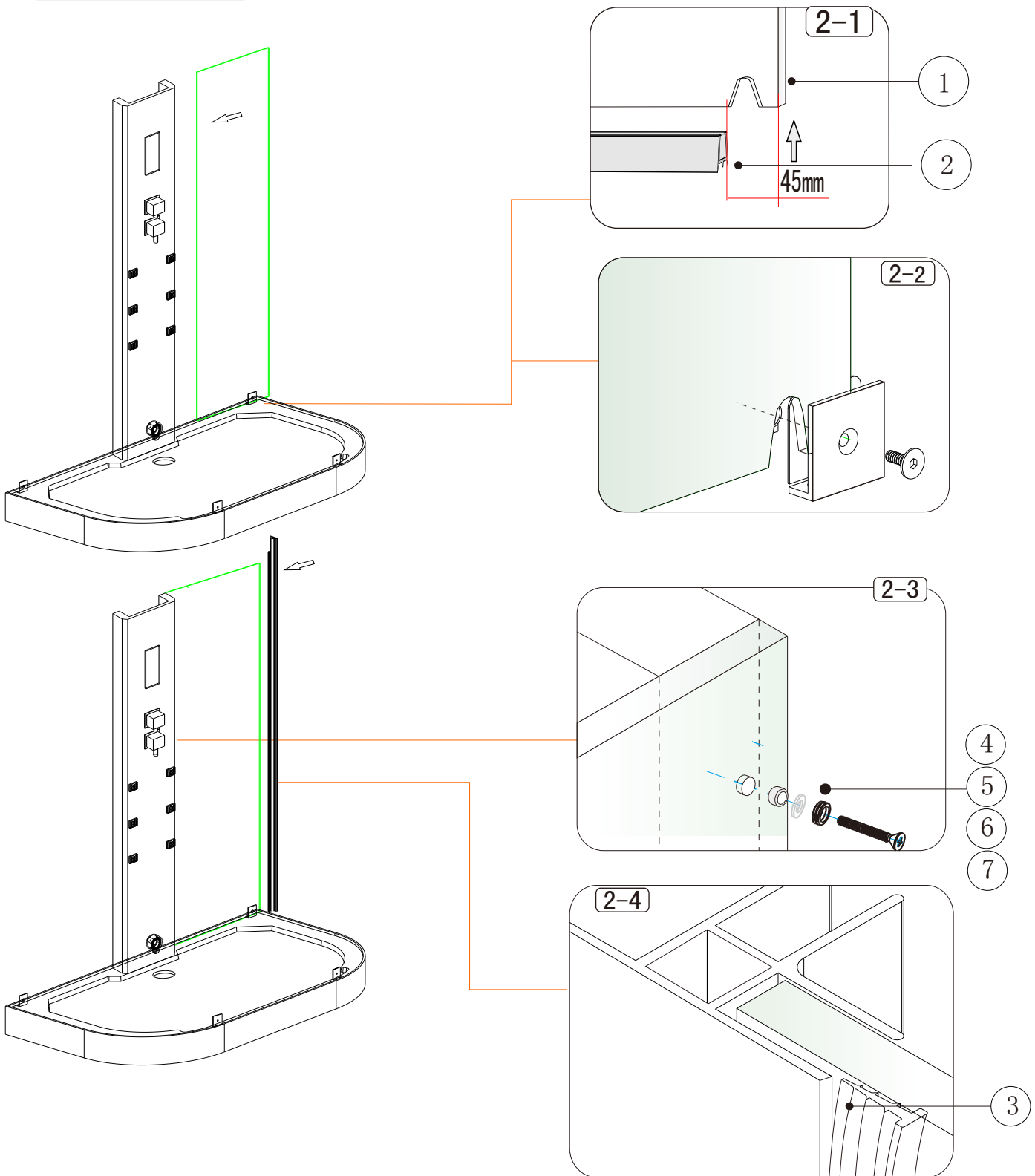
 Adjust all the stand bar under the bottom



No.	Material	No.	Material
1	ST4*30 screw	3	Fixed bracket
2	back column	4	Tray

Installation drawing

Step 2

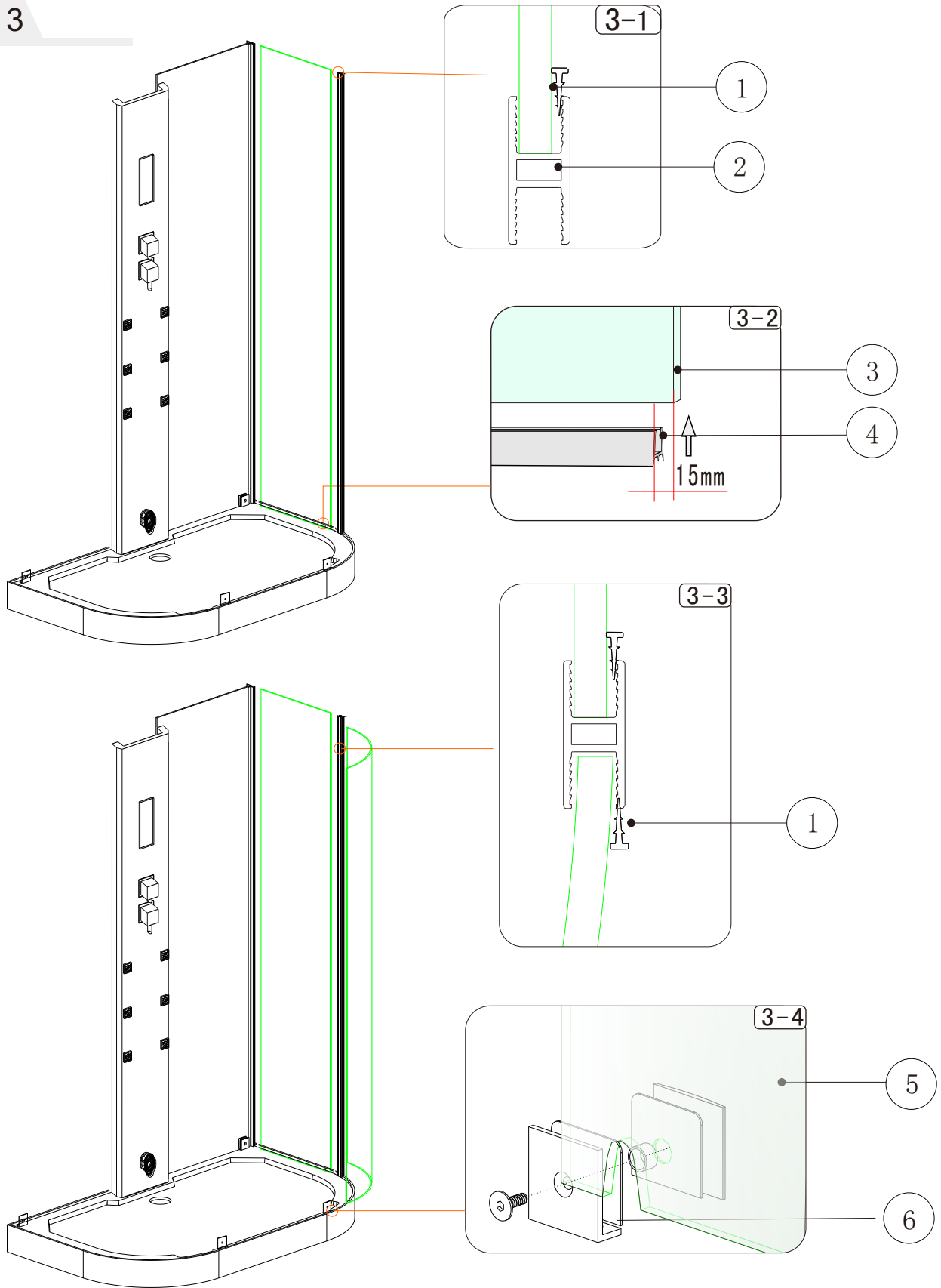


No.	Materia
1	Back Glass
2	Plastic seal BF005-06
3	Plastic seal LR001-2.3
4	back column

No.	Materia
5	ST5*18 screw
6	Decorated screw cap
7	stainless steel mat
8	

Installation drawing

Step 3

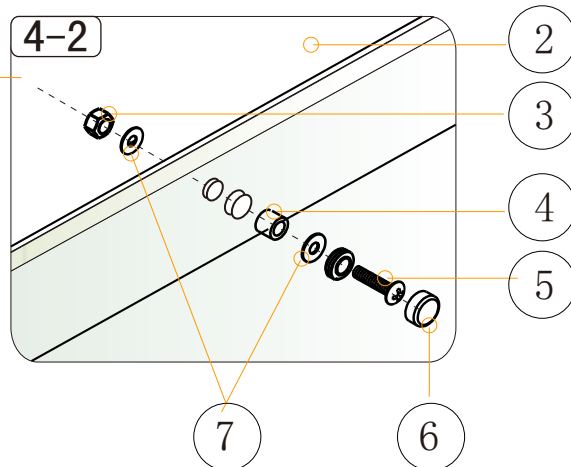
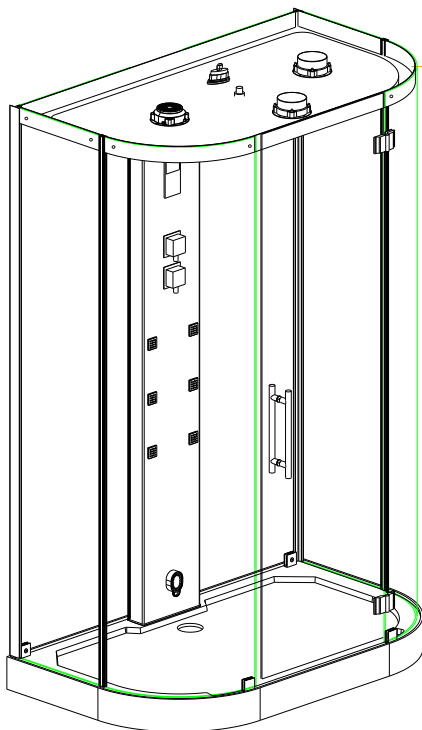
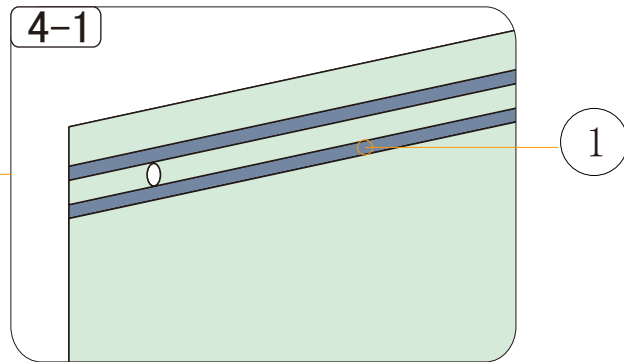
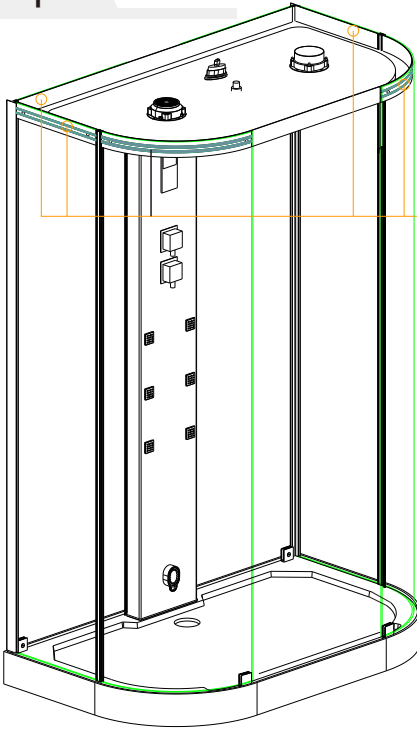


No.	Material
1	Plastic seal LR001-2.3
2	Front column
3	Side Glass

No.	Material
4	Plastic seal BF005-06
5	Front Glass
6	Glass nip

Installation drawing

Step 4

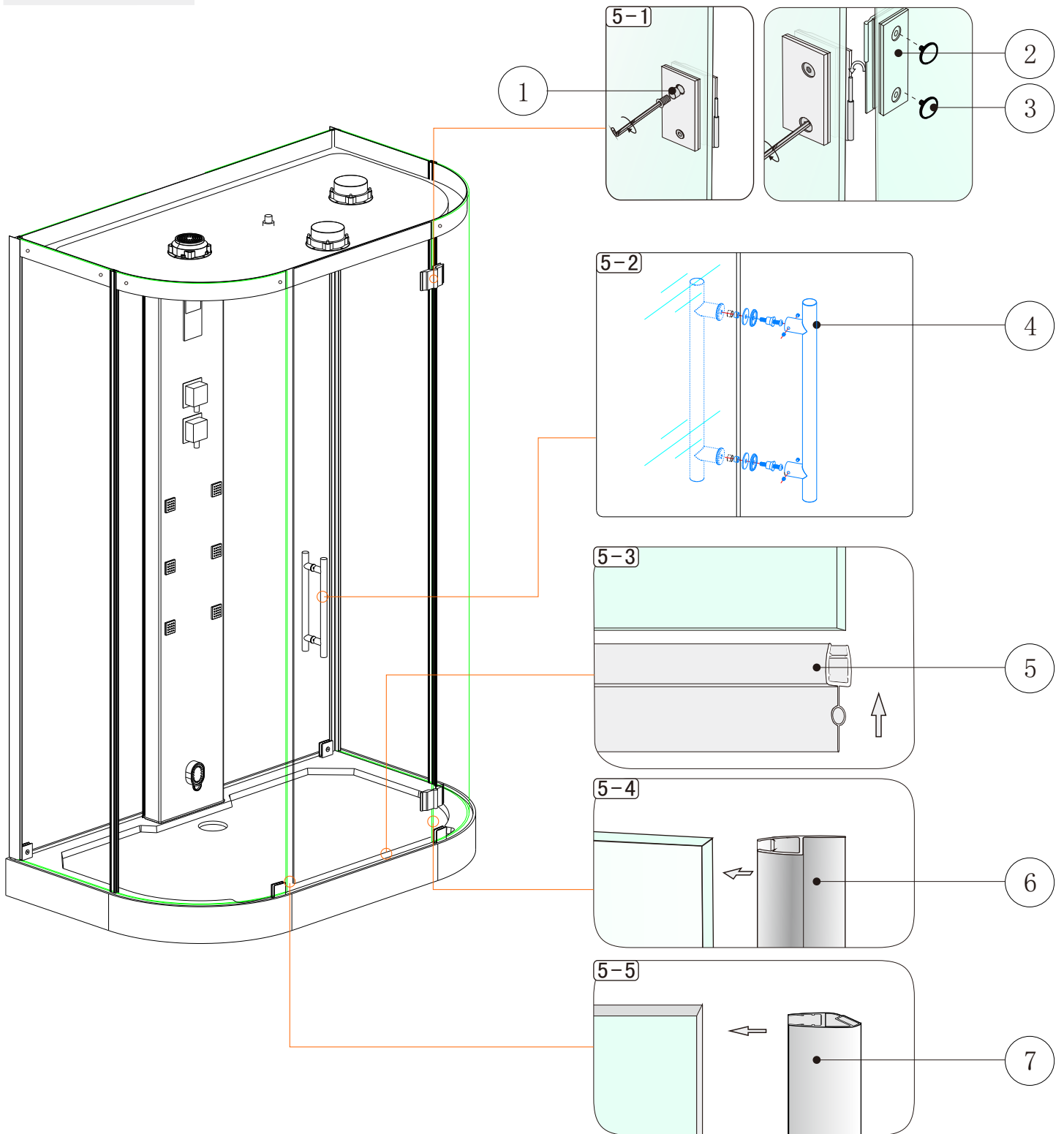


No.	Material
1	From glue
2	Top
3	M4 screw nut
4	Bushing for glass hole

No.	Material
5	M4*25 screw
6	Decorated screw cap
7	stainless steel mat

Installation drawing

Step 5

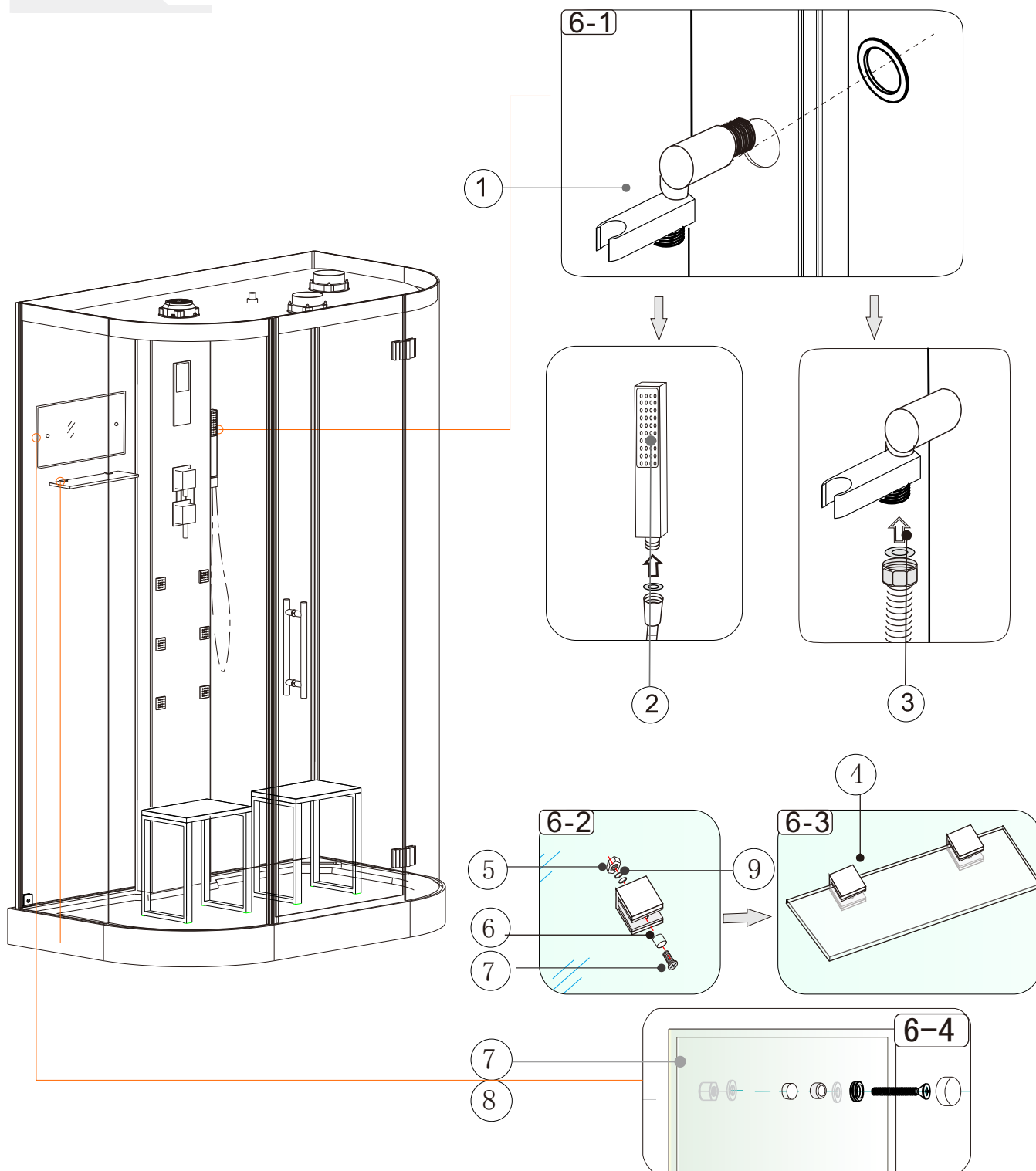


No.	Material
1	Bushing for glass hole
2	Hinge
3	screw cap
4	Handle

No.	Material
5	Plastic seal BF010-06-18.8
6	Plastic seal BF003-06-12.3
7	Plastic seal BC001-06

Installation drawing

Step 6

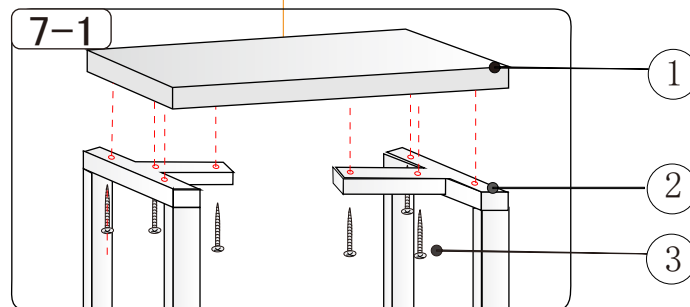
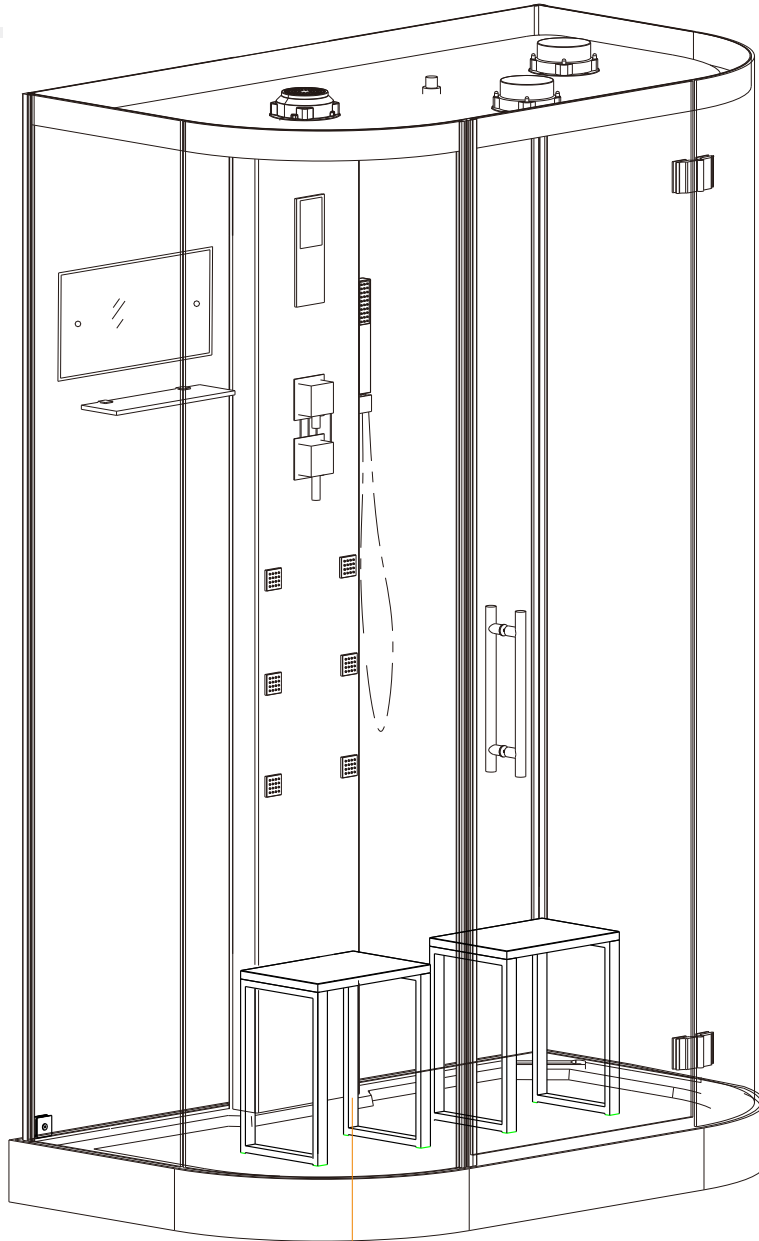


No.	Parts name
1	shower seat
2	Handle shower
3	shower hose
4	Handrail for shelf of shampoo
5	M4 Hexagon nut

No.	Parts name
6	Bushing for glass hole
7	M4*18 screw
8	Decorated screw cap
9	stainless steel mat
10	

安装示意图

Step 7



No.	Material
1	Plastic seat top
2	Stainless steel tool stand

No.	Material
3	M4*30 screw
4	

KY0823

Screen



- A.[Colour light] ;
- B.[Fan] ;
- C.[CD] ;
- D.[MP3] ;
- E.[FM/MP3 setting] ;
- F.[Channel setting] ;
- G.[Volume setting] ;
- H.[Temp setting] ;
- I.[Steam] ;
- J .[Time setting];.

Key

- 01.[Colour light] ;
- 02.[Fan]
- 03.[Steam function button] ;
- 04.[Temp setting] ;
- 05.[Key-] ;
- 06.[Key+] ;
- 07.[Menu][Play/Pause] ;
- 08.[Volume setting] ;
- 09.[Power on/off] ;
- 10.[CD/MP3/FM];

Operation instruction

1.Power on/off

On: Press the key is about 1 second to start it.

Off: Press power on/off key about 2 seconds to turn off.

2.Infrared sauna function

Touch infrared sauna key to start it and it will show its icon. Touch again to turn off them. When reaches setting temperature, the system will shut down automatically. when temperature less than 3°C, the system will restart infrared sauna function automatically .

3.Time/temperature setting

Touch the menu the first time and the key flashing, touch up/down key to adjust time setting between 01 ~ 99 minutes; touch the menu again to display temperature then touch up/down key to adjust the temperature setting with range 35~60°C.

4.Multi-color top lamp

Press color light key to adjust the color lamp by hand.It works circularly from white/green/yellow/blue/red/turn off.Top lamp is controled by the key within 15 minutes after shut down the control panel.Once turn on power,white is acquiescence.

5.Fan function

Touch the fan key to start fan with fan light icon.Touch it again to turn off.

6.FM function

Under power on condition,press FM key to turn on radio.The setted frequency is the frequency you turn off last time,at the same time the frequency will be shown on the display,then the MP3 will be shown on the display .Press FM key again,the radio will be turn off.The scale of frequency is 87.5-108MHZ.Adjust the frequency Under radio turn on condition,press FM+/FM- to adjust the frequency.Press one time the frequency will be downwards or upwards 0.1MHZ.Press FM+/FM- about 2 seconds,the system will search the frequency automatical ly until find a clearly frequency,and then play the frequency searched.

Operation instruction

7.CD/MP3 function

Touch CD/MP3/FM key to turn on CD /MP3.When CD/MP3 works,touch the menu to set FM display,then touch up/down key to play the next song. Touch the play/Pause to switch CD/MP3.

8.Volume adjust

Under condition of turn on radio or CD/MP3,the setted volume is 8 Press up or down key to adjust volume which between 0 and 12,it displays current volume under setted time 5seconds,then recover time showing.

9.Key-press lock

After the control panel in the dormancy for 60 minutes ,all the function will lock automatically,the display become black,the key is on,press"Power on/off "for 2 seconds to release it.

Operation instruction

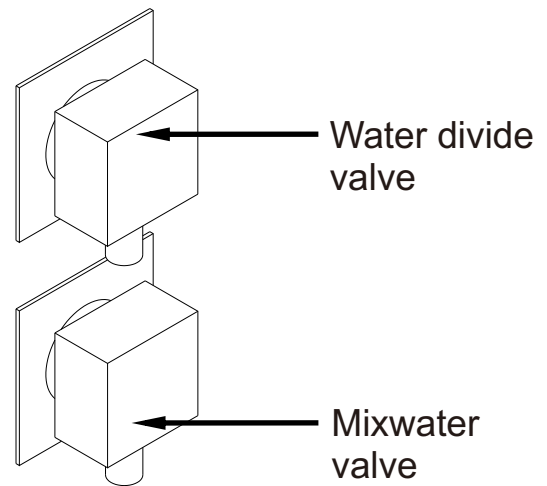
1. Operation of valve

A. Mix water valve function:

Turn to the "H" to connect the hot water ;
Turn to the "C" to connect the cold water ;
Control the place between "H" and "C" to
adjust the temperature of the water ;

B. Water valve function:

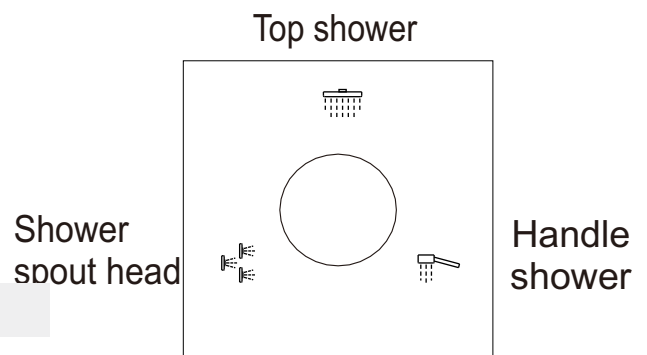
Adjust the handle for the valve
(look at picture 1) to the relative function
shelves and take it up to connect the
relative waterway (look at picture 2);



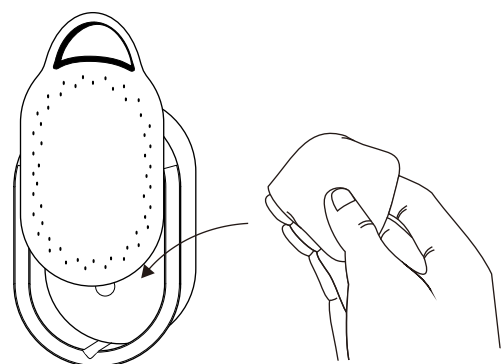
Picture 1

2. Steam nozzle function

Open the cover of the steam nozzle,
put some spice or herbal medicine
(look at picture 3), cover the steam nozzle
cover ,turn on the steam system, scent will
come out together with the steam. After
shut down the system, it is must to clean
the steam nozzle.



Picture 2



Picture 3

Installation drawing

【Warning】

1. Keep electrical appliances out of reach from Children or infirm persons. Do not let them use the appliances without supervision.
2. Do not dispose of electrical appliances as unsorted municipal waste, use separate collection facilities.
Contact you local government for information regarding the collection systems available.
If electrical appliances are disposed of in landfills or dumps, hazardous substances can leak into the groundwater and get into the food chain, damaging your health and well-being.
3. This appliance is not intended for use by persons (including children) with reduced physical, sensory or mental capabilities, or lack of experience and knowledge, unless they have been given supervision or instruction concerning use of the appliance by a person responsible for their safety.
Children should be supervised to ensure that they do not play with the appliance.
4. Means for disconnection must be incorporated in the fixed wiring in accordance with the wiring rules.
5. WARNING: In order to avoid overheating, do not cover the heater.
6. Do not use this heater with a programmer, timer, separate remote-control system or any other device that switches the heater on automatically, since a fire risk exists if the heater is covered or positioned incorrectly.
7. The safety of your cabin was checked before dispatch. Assembling the electric components requires a specific basic knowledge and may therefore only be done by an electrician.
8. the appliance should be supplied through a residual current device (RCD) having a rated residual operating current not exceeding 30 mA.

【Notice】

1. The ideal using time is 15 minutes, control system set time is 30 minutes.
2. The suitable temperature is 35~50°C, please adjust heater's temperature to match need.
3. Please put off the power plug from the socket after use.
4. Please make sure wires and sockets are all connected well before turning on power.
5. After 2 cycles` use (twice 30 minutes), turn off the heater at least 30 minutes.

Aftersales service

【Remind】

1. In order to extend the life of the product, it must at least 30 seconds between turn on or off.
2. Control system is still working even though turning off the heater or multi-color lamp, The best way is put off the power socket.
3. Please put child to the suitable seat to avoid infrared's shining at its head.
4. Accidental shut down, please re-start.
5. If any uncomfortable when using, please turn off the power.
6. Before using, it is better to have some soft drinks (such as fruit juices, vegetable juices or mineral water etc.) while having a bath or shower with water not too cold after using.

【Maintenance】

1. Please use general neutral liquid detergent to clean the product surface (Included bamboo wood, Composite board, plastic, aluminum, plated parts, spray pieces), but don't use strong alkaline detergents and organic solvents (such as Alcohol, Thinner, Ammonia, Acetone etc.)
2. Never wipe glazed or chrome-plated pieces with rough tool but soft cloth.
3. Please keep the tub clean and remove impurities such as hairs to make the drainage unclogged. If there is any dirt in the tub surface, please clean it with a piece of soft cloth with applied some toothpaste.
4. General neutral liquid detergent and soft cloth can be used for the daily cleaning of the infrared & steam room. Do not use the detergent containing the acetone or ammonia spirit.
5. Use 1200# waterproof abrasive paper dipped in water to grind the scratch on the room surface, then with 2000#, polish it after that with a piece of soft cloth applied some toothpaste.
6. Please open the door of this cabin for airiness that can avoid steam or water stay in it over a long period of time which will cause mildew or peculiar smell.

Aftersales service

【Troubleshooting】

Problem	Reasons	Remedy
No Power	<ol style="list-style-type: none"> 1. Poor connection of power. 2. Power failure of leakage switch. 3. Fuse off. 	<ol style="list-style-type: none"> 1. Connect well the power socket. 2. Reconnect the leakage switch. 3. Replace fuse.
No infrared	<ol style="list-style-type: none"> 1. Up to permanent temperature, temperature detector off. 2. Heater supply plug not connect well. 3. Damage of infrared tube/board. 	<ol style="list-style-type: none"> 1. Temperature off and automatically recover. 2. Connect well the plug. 3. Replace infrared tube/board.
No steam	<ol style="list-style-type: none"> 1. No water in the steam generator. 2. Temperature explorer is broken. 3. The heater of the steam generator is broken. 	<ol style="list-style-type: none"> 1. Check water inlet electromagnetism valve. 2. Change the temperature protective explorer. 3. Change the heater .
No sound	<ol style="list-style-type: none"> 1. Low volume setted. 2. Speaker supply cord is loose. 3. Damage of speaker. 	<ol style="list-style-type: none"> 1. Adjust volume. 2. Connect well the supply cord. 3. Replace speaker.
No color light	<ol style="list-style-type: none"> 1. Turn off. 2. Multicolor lamp supply cord is loose. 3. Damage of multicolor lamp. 	<ol style="list-style-type: none"> 1. Turn on color light. 2. Connect well the supply cord. 3. Replace the multicolor lamp.
No fan	<ol style="list-style-type: none"> 1. Turn off or automatic. 2. Fan supply cord is loose. 3. Damage of fan. 	<ol style="list-style-type: none"> 1. Turn on the fan. 2. Connect well the supply cord. 3. Replace the fan.
Tray seeper	Block the drainer.	Clear drainer .

